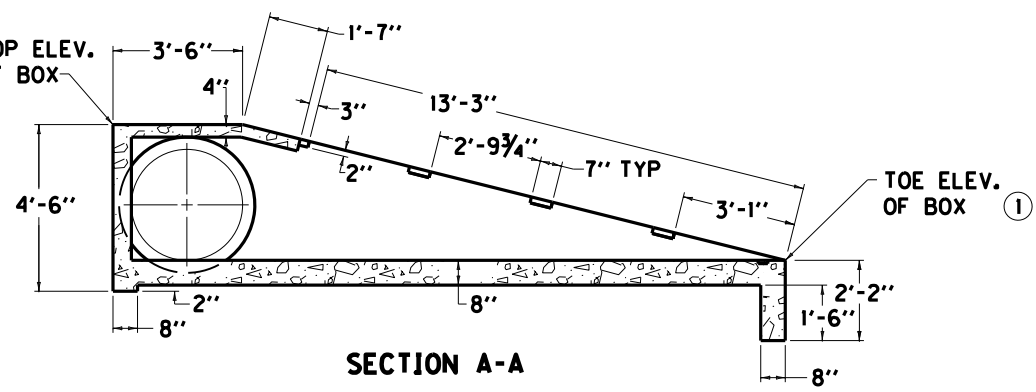
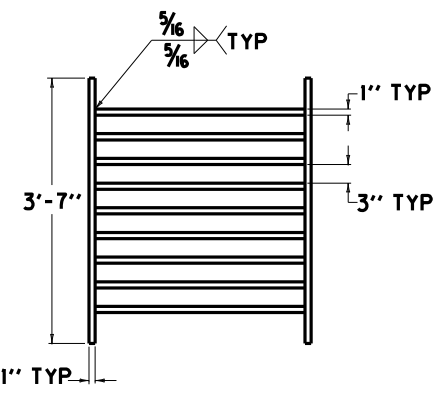


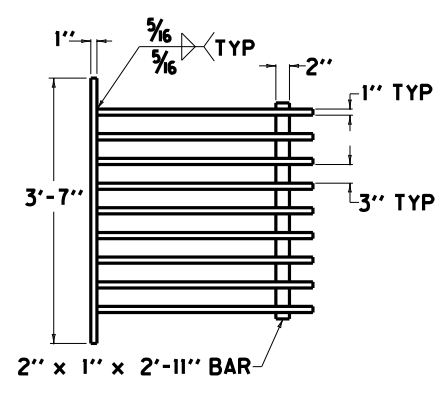
PLAN VIEW



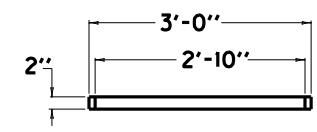
SECTION A-A



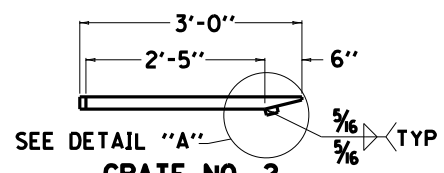
GRATE NO. 1
PLAN VIEW



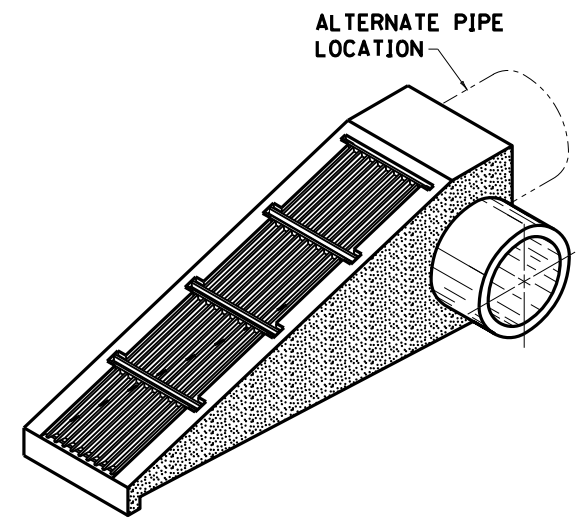
GRATE NO. 2
PLAN VIEW



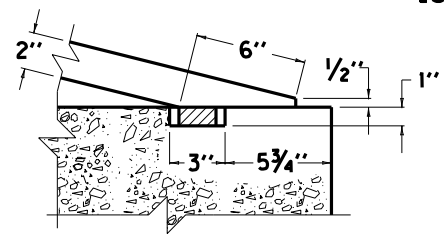
GRATE NO. 1
SIDE ELEVATION



GRATE NO. 2
SIDE ELEVATION



ISOMETRIC VIEW



DETAIL "A"

NOTES

- ITEM CODE BID ITEM UNIT
 23044NS710 SAFETY BOX INLET-36 INCH SDB-1 EACH
- THE UNIT BID FOR EACH STRUCTURE SHALL INCLUDE ALL CONCRETE, STRUCTURAL STEEL GRATING, EXCAVATION, LABOR AND INCIDENTALS NECESSARY FOR ITS CONSTRUCTION AS DETAILED ON THIS SHEET.
- TOE OF BOX SHALL BE RAISED OR LOWERED TO FIT EXISTING FIELD CONDITIONS.
 - SKEW OF BOX SHALL VARY TO FIT EXISTING FIELD CONDITIONS.
 - ALL QUANTITIES ARE FOR ONE HEADWALL.

APPROXIMATE QUANTITIES					
CLASS "A" CONC.	GRATE	NO. OF GRATES REQ'D.	LBS.		
			STRUCTURAL STEEL	REINF. STEEL	
CUBIC YARDS	NUMBER		EACH GRATE		
4.51	1	3	222	896	261
	2	1	230		

SHEET 1 OF 2

KENTUCKY
DEPARTMENT OF HIGHWAYS

**SAFETY TYPE
BOX INLET
(36")**

APPROVED _____ PROJECT ENGINEER _____ DATE 06-04-2008